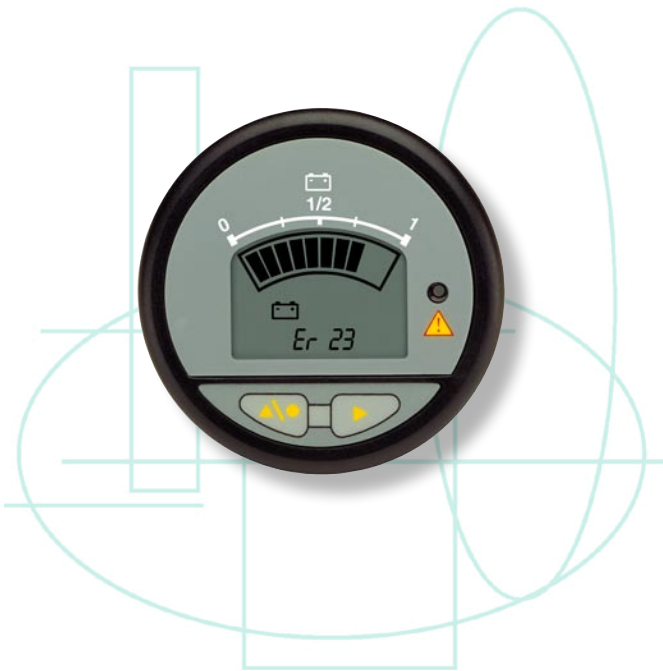


**MODEL 3100R****DESCRIPTION**

The Curtis enGage® II Model 3100 is a microprocessor based instrument that monitors and displays operating and performance parameters critical to industrial vehicles. The gauge is fully compatible with the CANopen controller area network protocol.

APPLICATION

Industrial and commercial vehicles including: material handling, aerial lifts, commercial cleaning equipment. Also ideally suited for monitoring scheduled maintenance, warranty and leasing intervals.

QUALITY COMPLIANCE

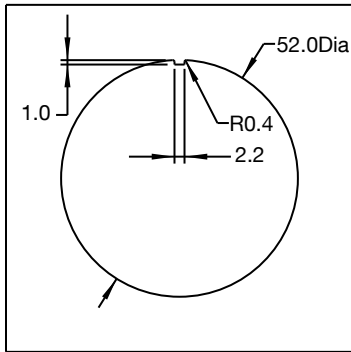
Manufactured under ISO 9001 certified Quality Management system. UL recognized & CE certified.

FEATURES

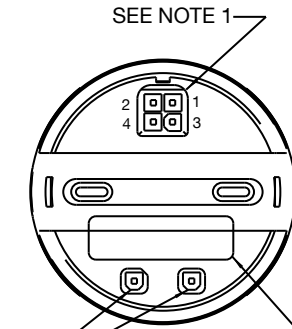
- Interfaces directly and seamlessly with Curtis CAN enabled vehicle and motor controllers and displays various system parameters.
- Attractive, easy-to-read, Liquid Crystal Display with optional backlighting for enhanced viewing in all lighting conditions.
- LCD contains bargraph and alpha numeric sections for viewing operational status and system codes.
- Can be used with any CANopen enabled speed controller.
- Requires substantially less wiring while providing increased access to system information.
- Standard models display hours of use, battery state-of-charge and messages from vehicle / motor controller.
- Easy access to speed controller status, system parameters.
- External LED to warn of system operation outside preprogrammed norms.
- Optional sealed front panel buttons allows direct access to the motor controller.
- Reliable, all solid state design means no moving parts minimizing warranty costs.
- Mounting bracket and integrated connector lowers installation and production costs and eliminates traditional mounting hardware kits.
- Aesthetically attractive contemporary look enhances vehicle styling and maximizes readability. Overlays can easily be customized to create a specific brand/logo identity.
- Over 40 years of Curtis instrumentation design and manufacturing experience insures products are both innovative and extremely reliable.
- Curtis global network of sales and technical support provides timely and complete applications support.

MODEL 3100R

DIMENSIONS mm

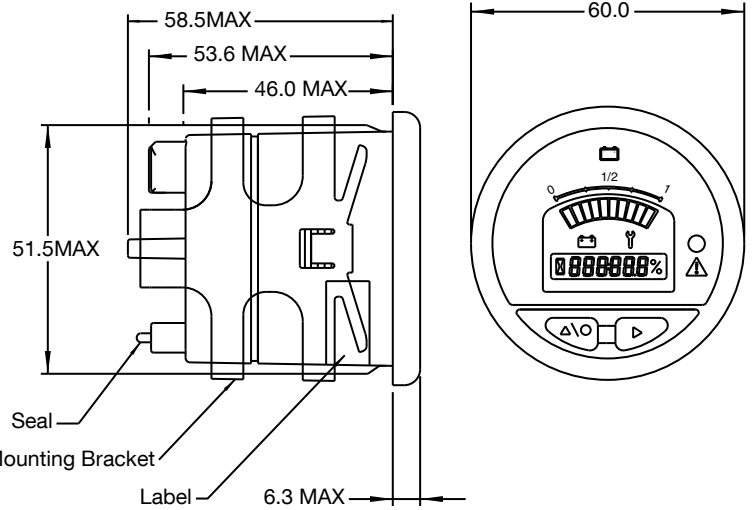


PANEL CUTOUT DETAIL WITH KEY



Label

USED FOR DEVICE CONFIGURATION
DO NOT CONNECT WHEN
INSTALLING GAGE



Seal
Mounting Bracket

Label

| PIN # | FUNCTION |
|-------|----------|
| 1 | B- |
| 2 | B+ |
| 3 | CAN HI |
| 4 | CAN LO |

NOTES:

- 1.0 MATING CONNECTOR; 4-PIN AMP P/N 794805-1 WITH UL RATING 94V-0, INTERFACE SEAL P/N 794772-4, WIRE SEAL 794758-1, PINS P/N 770904-X FOR #18-24 AWG
- 2.0 52mm METER IS PROVIDED IN A STANDARD ROUND PACKAGE FOR MOUNTING IN A 52mm DIA DASH PANEL HOLE. SEE DETAIL FOR PANEL CUTOUT WITH KEY.
- 3.0 MATERIAL: CASE - POLYCARBONATE, LENS - CLEAR POLYMETHYLMETHACRYLAT (PMMA), COVER - POLYCARBONATE, OVERLAY - POLYCARBONATE, MOUNTING BRACKET - POLYCARBONATE.
- 4.0 THIS UNIT IS DESIGNED FOR A MOUNTING PANEL THICKNESS OF 0.8 mm - 6.4 mm.
- 5.0 ENVIRONMENTAL PROTECTION FRONT IP-65, REAR IP-65 (WITH MATING CONNECTOR INSTALLED AND AND SEALS IN DEVICE CONFIGURATION PORTS).
- 6.0 WEIGHT: 0.095 kg MAX, INCLUDING MOUNTING BRACKET.
- 7.0 OPERATING VOLTAGE = 12 TO 48 VDC.
- 8.0 LCD VIEWING ANGLE = 0 TO -20~.

SPECIFICATIONS

- Operating voltages:
Auto-ranging, 12-48VDC nominal
- Operating temperature:
-40°C to +85°C
- Storage temperature:
-50°C to +90°C
- Humidity:
95% RH (non-condensing) at +38°C
- Shock:
SAE J1378 March 83. Amplitude
44-55 g, half sine, 9-13 ms duration
- Vibration:
SAE J1378
Double amplitude of 1.53mm with frequency sweep
for 10-80-10 Hz (20 g max) at 1 minute intervals
- Sealing:
AMP connector - IP65 (with connector installed)
- Maximum Current Ratings:
55 mA – CAN Inactive
125 mA – CAN Active

OPTIONS & ACCESSORIES

Optional gasket available, Curtis part number 15336005

WARRANTY Two year limited warranty from time of delivery.

