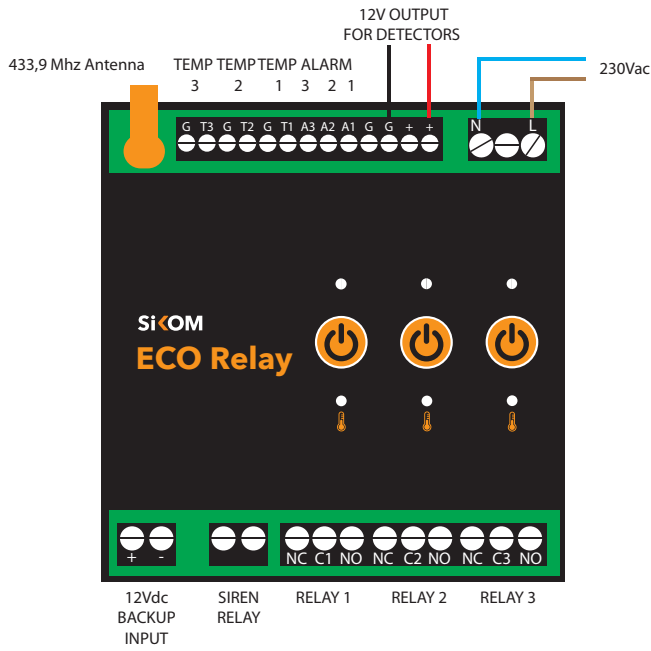


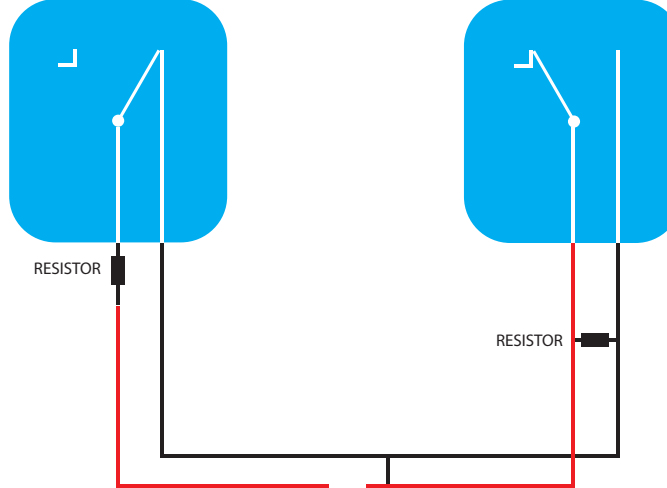
Overview



Using Alarm Input

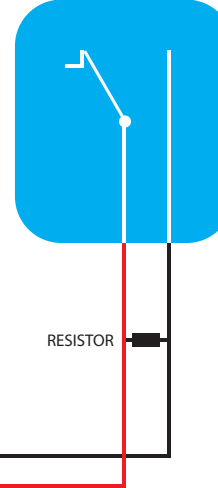
Alarm triggering using NC / Normally Closed potential free switch.

Switch triggering Alarm input A3.

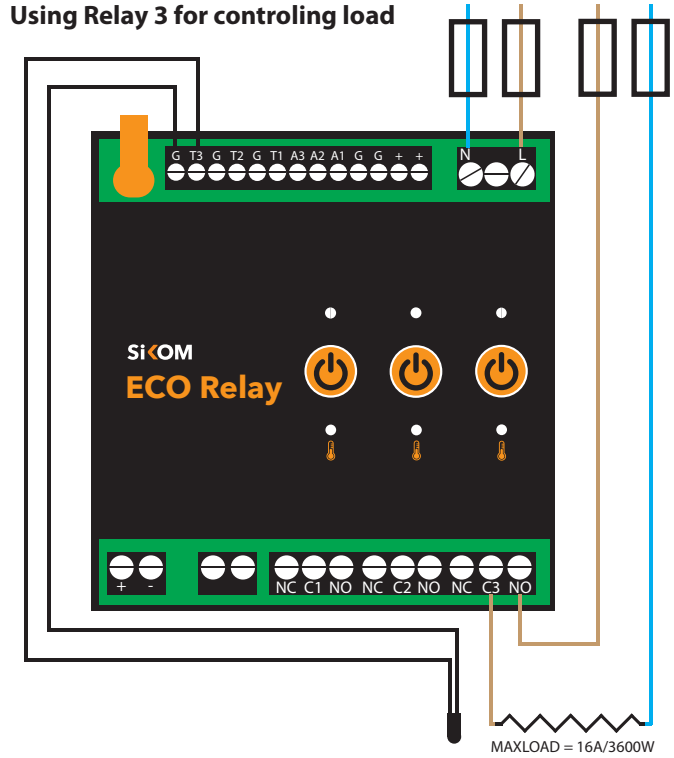


Alarm triggering using NO / Normally Open potential free switch.

Switch triggering Alarm input A1.



Using Relay 3 for controlling load



Using the Siren Relay

