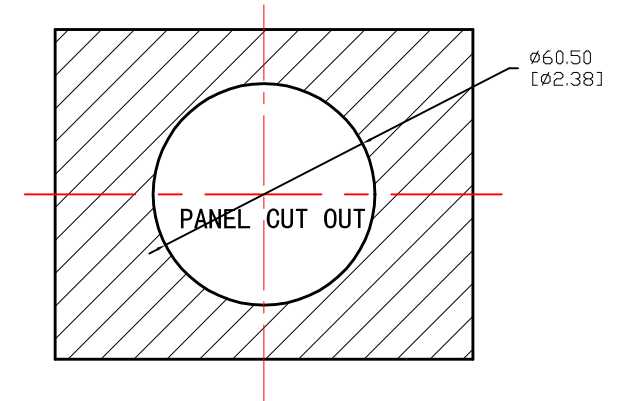
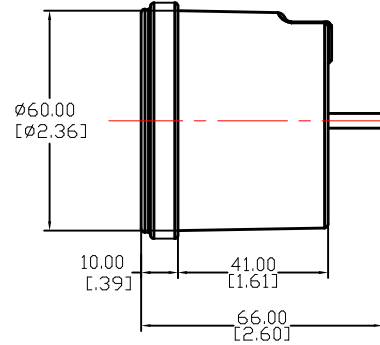
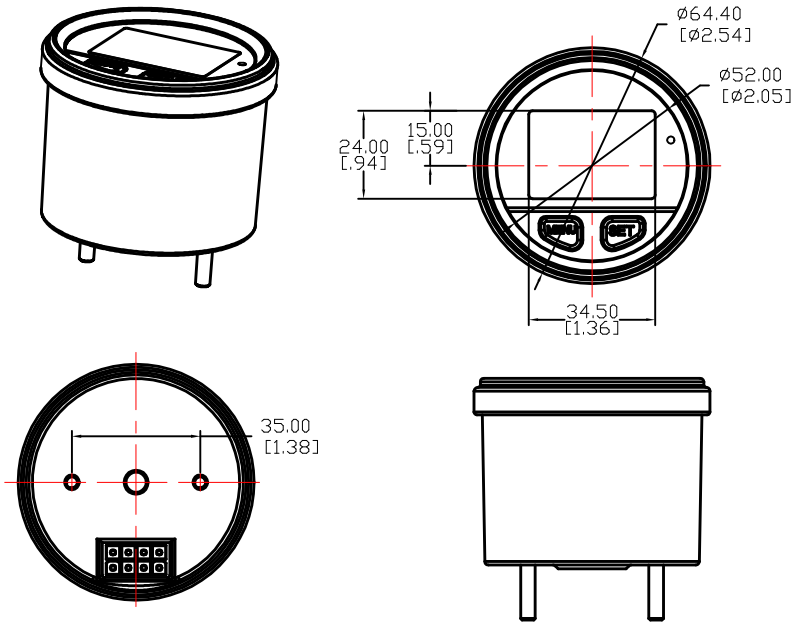


REVISIONS			
REV.	DESCRIPTION	DATE	INIT
0	INITIAL RELEASE	2022-10-6	
1			



#### 1. Display

- Displayed by LCD screen, the viewing angle is 6 O' clock
- Displayed by 4 digits, the digit height is 11.6mm. Displayed by 5 digits, the digit height is 6.5mm
- LCD temperature resistance range: -30°C to 80°C

#### 2. Indicator light

- Red light: Over speed, flash the red light
- Green light: The green light is always on after successful positioning. Green light blinks when positioning fails

#### 3. Clock function

- Time zone can be set
- 24 hour system


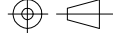
#### 4. Speed/mileage function

- Unit: KM/H, MI/H, NMI/H, 3 types can be selected
- Record the Max speed, can be reset
- Over speed alert value can be set
- Record the total mileage, not resettable
- The number of satellites can be viewed

#### 5. External power

- DC12V, DC24V
- Real time display the current voltage

Item	Parameter
Housing material	ABS black
Product dimension	Ø64.5mm*66mm
Display window size	37mm*31mm
Operation temperature	-20°C-60°C
Waterproof level	IP65
Weight	150g

UNLESS OTHERWISE SPECIFIED DIMENSIONS ARE IN INCHES TOLERANCES ARE: .X± .1 .XX± .02 .XXX± .005 X°± 1°	DRAWN	DATE	 NINGBO JIANGBEI RUN LEADER ELECTRONICS CO., LTD WWW.RUN-LEADER.COM				
	CHECKED	DATE					
	APPROVED	DATE					
COMPUTER GENERATED DRAWING-NO MANUAL CHANGES ALLOWED	MATERIAL N/A	PROJECTED VIEWS ARE 3RD ANGLE	TITLE <b>GPS SPEEDOMETER</b>	SIZE B <sub>005</sub>	PART NO. RL-SM001		
	FINISH N/A		STATUS DS4_DESIGN	SCALE NTS	SHEET 1 OF 1	PROJECT NO. 081	REVISION 0
DO NOT SCALE DRAWING							